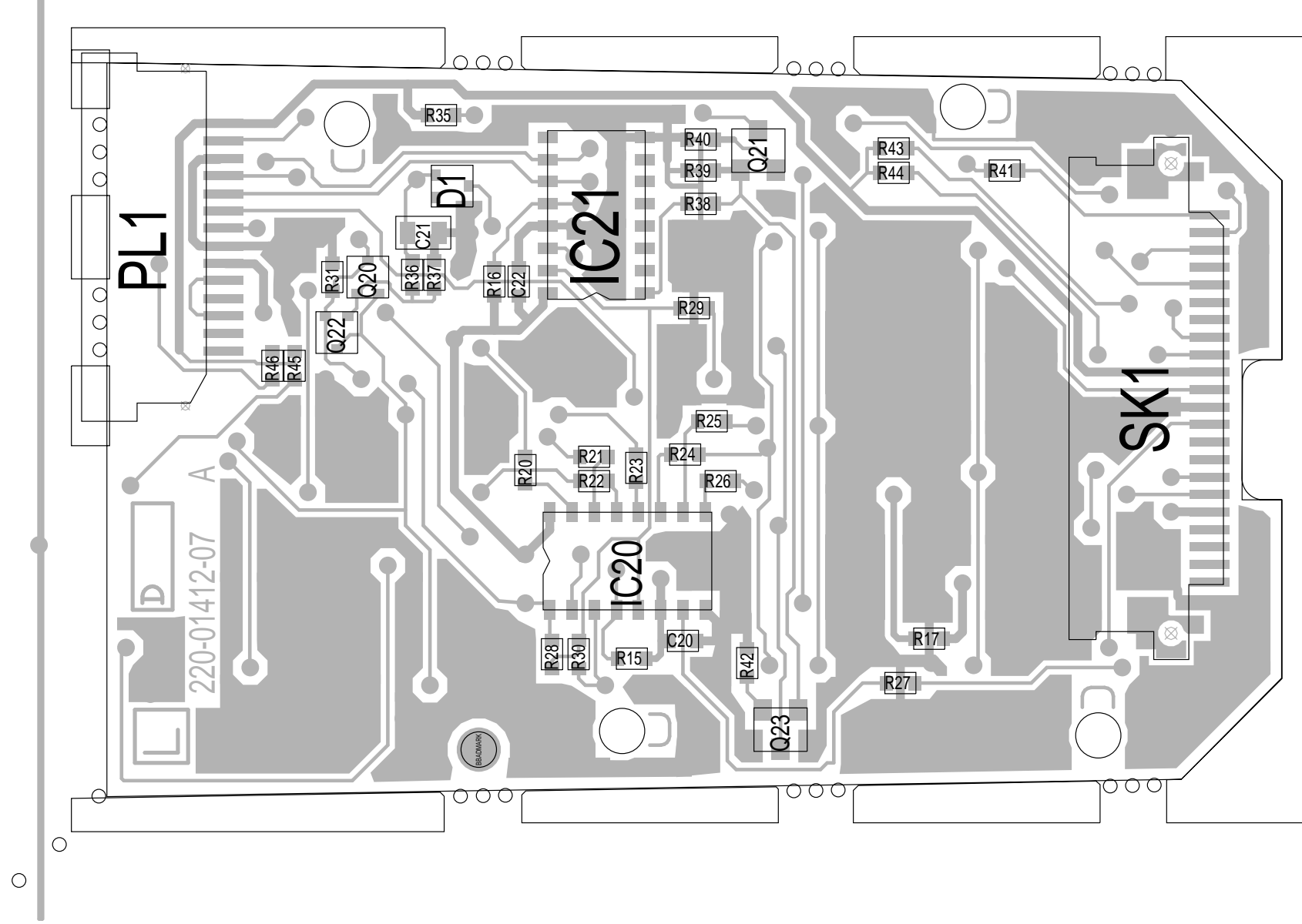


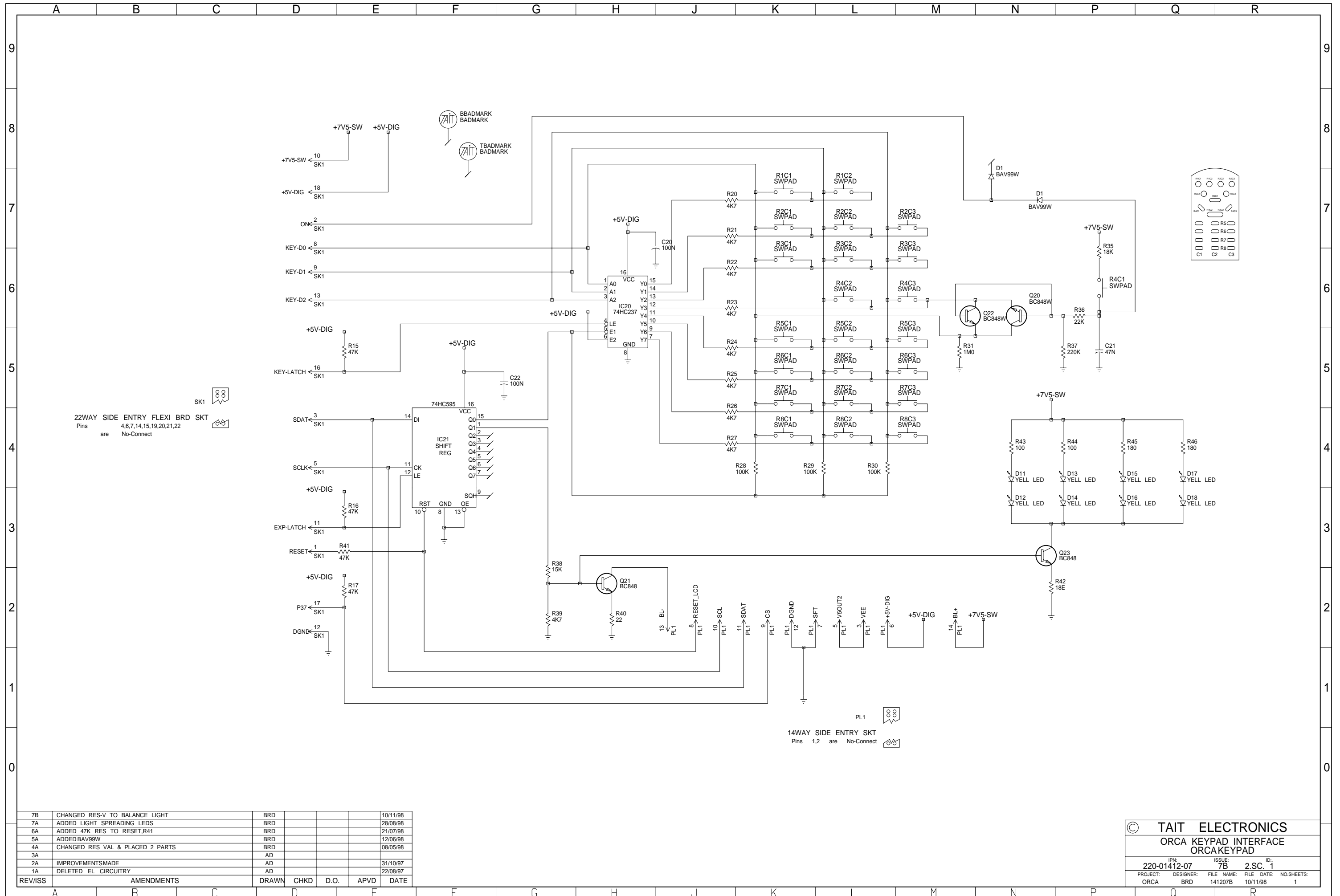
TAIT ELECTRONICS	IPN: 220-01412-07	ISS: -07	ID: T:TA	DATE: 21 Sep 1998
KEYPAD PCB LAYOUT - TOP SIDE				

Scale: 3:1 ; Rotation: 0 degrees



TAIT ELECTRONICS	IPN: 220-01412-07	ISS: -07	ID: 2.BA	DATE: 21 Sep 1998
KEYPAD PCB LAYOUT - BOTTOM SIDE				

Scale: 3:1 ; Rotation: 0 degrees



22WAY SIDE ENTRY FLEXI BRD SKT  
Pins 4,6,7,14,15,19,20,21,22 are No-Connect

14WAY SIDE ENTRY SKT  
Pins 1,2 are No-Connect

REV/ISS	AMENDMENTS	DRAWN	CHKD	D.O.	APVD	DATE
7B	CHANGED RES-V TO BALANCE LIGHT	BRD				10/11/98
7A	ADDED LIGHT SPREADING LEDS	BRD				28/08/98
6A	ADDED 47K RES TO RESET,R41	BRD				21/07/98
5A	ADDED BAV99W	BRD				12/06/98
4A	CHANGED RES VAL & PLACED 2 PARTS	BRD				08/05/98
3A		AD				
2A	IMPROVEMENTS MADE	AD				31/10/97
1A	DELETED EL CIRCUITRY	AD				22/08/97

© TAIT ELECTRONICS					
ORCA KEYPAD INTERFACE					
ORCAKEYPAD					
IPN:	220-01412-07	ISSUE:	7B	ID:	2.SC. 1
PROJECT:	ORCA	DESIGNER:	BRD	FILE NAME:	141207B
		FILE DATE:	10/11/98	NO. SHEETS:	1